

# CLEARION

WATER TECHNOLOGIES



2026 Product Catalog

Crystal-clear solutions, one innovation at a time.



**Clearion** dreams, develops and delivers innovative water technologies to consumers through a trusted network of highly trained, certified water treatment dealers.

**Clearion Water Technologies** is a division of Chandler Systems, Inc., a family of companies with decades of experience bringing new and innovative technologies and products to the water treatment industry.

Our **Clearion** Training Center houses a state-of-the-art training facility, built to ensure the highest standards of expertise in water treatment. This space is designed to foster collaboration, allowing us to learn directly from our customers while providing water treatment dealers and technicians with unparalleled education on cutting-edge water technologies.

Every **Clearion Water** technician completes intensive training at our Training Center, guaranteeing they possess the expertise to expertly service and install our entire product line.

We believe in empowering our dealers. That's why we invest heavily in comprehensive training, ensuring they are not only proficient in **Clearion Water** products but also deeply knowledgeable about the broader landscape of water treatment challenges and solutions.

## CONTACT US

### Address

710 Orange Street  
Ashland, Ohio 44805

### Office Hours

8:00am – 5:00pm  
Monday – Friday

### Phone

Phone: 855.250.6357  
Phone: 419.281.8962

[www.clearionwater.com](http://www.clearionwater.com)

**I. INTRODUCTION**

Contacting Clearion Water Systems ..... 2

**II. PRODUCTS SECTION**

**Control Valves**

Legacy View App..... 4  
*Introducing 400 Series Technoogy*..... 5

**Water Softeners**

Cabinet Softener..... 6  
 Two Tank Softener..... 7  
 High Capacity Softener..... 8  
 City Water Softener..... 9  
 City Water Softener - TC Series..... 10  
 Twin Softener w. Legacy View..... 11  
 Tannin/Hardness Treatment System..... 12  
 Nitrate/Sulfate Treatment System..... 13  
 Optimizr™ - Combination Softener & Fliter..... 14

**Whole House Filter**

Whole House Filters..... 15  
 Arsenic / Heavy Metals Filters..... 16  
 Monstr Flow..... 17  
 Pioneer DROP Lead, PFOA/PFOS & Cyst POE Water Filtration System..... 18  
 PFAS Removal - POU Filter..... 19  
 Fresh Tap..... 20  
 Upflow Filters..... 21  
 Ultrafilter..... 22  
 Premium Side Mount Backwashing Filter..... 23  
 Squat - Low Profile Water Treatment System..... 24  
 Filter Media Selection Guide..... 25

**Iron / Sulfur Filters**

Sidekick™ Single Tank Aeration Filter..... 26  
 Sidekick™ 'S' Single Tank Aeration Filter..... 27  
 Sidekick™ 2 Single Tank Aeration Filter..... 28  
 Sidekick™ 2 'S' Single Tank Aeration Filter..... 29  
 ZappR Radon Removal System..... 30

**UV & RO Systems**

"UV" Series Ultra Violet System..... 31  
 TFC Reverse Osmosis System..... 32

**Accessories**..... 33

**Field Test Kits**..... 35

**Bypass Connection Options**..... 38

**Warranty**..... 39

## LEGACY VIEW

SETUP  
CONTROL  
VIEW HISTORY  
MODIFY SETTINGS  
MONITOR WATER USAGE  
THROUGH  **Bluetooth™ 4.0** DEVICES



### Legacy View now comes standard on the Clearion 400 Series Valves

Legacy View makes setting up and monitoring your Chandler Systems water treatment system easier than ever. When used with a Legacy View Valve the user, through the app, can do the following functions:

- Conveniently view all valve settings and status
- Easily change valve settings
- View current water usage information
- Graphically view water usage information
- Start a regeneration or backwash cycle from your phone or tablet
- Set / view the servicing water treatment dealer information
- Provides clear insight into system operation and the purpose of each setting
- Connect to all of your valves in your system (if they are all Legacy View Valves)
- Monitor Brine Tank Salt Levels



## 400 Series Technology

- Heavy Duty Motors
- Vertical Screw Drive for Precise Piston Movement
- Bluetooth App Control Simplifies Setup and Operation
- Patented Piston Allows User to Shut Off Water or Bypass Treated Water from the App

### System Features

- Simple set up through Legacy View Bluetooth App
- Water bypass and shut-off with Bluetooth
- Screw drive technology for piston accuracy
- 12 VDC operation
- 5 cycles, all fully adjustable
- Treated Water Refill with pre-brine option
- Programming ease and expanded options increase efficiency while saving salt and water.
- Strong, durable Noryl® valve body, weather insect resistant one-piece slide cover
- Proprietary two valve bypass with 1" MNPT Connections
- 9V battery back-up
- Will motor to a drain line shut off position if power fails during regeneration
- Switch Output for:
  - Full Cycle Function
  - Backwash Function
- Limited 7 year warranty

| Valve Specifications                    |   |
|---|---|
| Valve Material                          | Noryl®*                                       |
| Inlet / Outlet                          | 1"  |
| Cycles                                  | 5   |
| Flow Rates (50 psi inlet) - Valve Alone |   |
| Continuous (15 psi drop)                | 12.6 GPM                                      |
| Peak (25 psi drop)                      | 16.8 GPM                                      |
| CV (flow at 1 psi drop)                 | 5.4   |
| Max. backwash (25 psi drop)             | 12.8 GPM                                      |
| Regeneration                            |   |
| Downflow / Upflow                       | Downflow                                      |
| Adjustable Cycles                       | Yes   |
| Time Available                          | 99 minutes per cycle                          |
| Meter Information                       |   |
| Meter Accuracy Range                    | .25 - 15 GPM +/- 5%                           |
| Meter Capacity Range (gal.)             | 1 - 9,999                                     |
| Dimensions                              |   |
| Distributor Pilot                       | 1.050" O.D.                                   |
| Drain Line                              | 1/2" NPT Q.C.                                 |
| Brine Line                              | 3/8"  |
| Mounting Base                           | 2-1/2" - 8 NPSM                               |
| Height From Top of Tank                 | 7.7"  |
| Typical Applications                    |   |
| Water Softener                          | 6" - 16" Diameter up to 4 ft³ Capacity        |
| Iron Filter                             | 6" - 16" Diameter                             |
| Sediment Filter                         | 6" - 16" Diameter                             |
| Carbon Filter                           | 6" - 16" Diameter                             |
| Neutralizing Filter                     | 6" - 16" Diameter                             |
| Additional Information                  |   |
| Electrical Rating                       | 12 VDC  |
| Pressure                                | Hydrostatic: 300 psi<br>Working: 20 - 125 psi |
| Temperature                             | 34 ° - 110 ° F                                |

\*Noryl is a registered trademark of General Electric Company



### System Features

- Eliminates Hardness (Calcium & Magnesium)
- **400 Series Control Valve**
- Legacy View Bluetooth enabled control valve for advanced diagnostics and simplified set up
- Slide Cover design for easy access to salt compartment
- Simple 9 volt battery back-up keeps electronic meter active and will motor control valve to shut off position in regeneration during power failure
- On demand meter providing data and history
- Adjustable Cycle Times
- Calendar Day Override
- Proprietary two valve bypass with 1" MNPT Connections
- High Flow 1" distributor
- Treated Water Refill with pre-brine option
- High flow brine safety float assembly overflow fitting and brine well

| General Specifications                          | CLCM24-4     | CLCM32-4     | CLCM48-4     |
|---|--------------|--------------|--------------|
| Grains Capacity - Regeneration / Lbs Salt Used* | 20,000 / 7.5 | 27,000 / 9   | 40,000 / 15  |
| Maximum Raw Water Hardness (grains)             | 50           | 75           | 100          |
| Maximum Clear Iron / Manganese                  | 3            | 5            | 5            |
| Exchange Resin (cu. ft. per tank)               | .75          | 1.0          | 1.5          |
| Mineral Tank Size                               | 9 x 35       | 9 x 35       | 12 x 35      |
| Service Flow Rate** (GPM)                       | 8.0          | 10.0         | 11.0         |
| Backwash Flow Rate (GPM)                        | 2.0          | 2.0          | 2.4          |
| Gallons Used / Regeneration                     | 86           | 88           | 90           |
| Space Required (D x W x H)                      | 23 x 14 x 45 | 23 x 14 x 45 | 23 x 14 x 45 |
| Approximate Shipping Weight (lbs)               | 88           | 100          | 133          |

\* Factory Salt Setting: 9 lbs / cu. ft.

\*\* The pressure drop does not exceed 15.0 psi at the service flow rate.



## System Features

- Eliminates Hardness (Calcium & Magnesium)
- Reduces Iron / Manganese stains and taste
- S4™ control valve shown, Signature 3 control valve also available
- Legacy View Bluetooth enabled control valve for advanced diagnostics and simplified setup
- Simple 9 volt battery back-up keeps electronic meter active and will motor control valve to shut off position if in regeneration during power failure
- On demand meter providing data and water usage history
- Adjustable Cycle Times
- Calendar Day Override
- Proprietary two valve bypass with 1" MNPT Connections
- Weather / Insect Resistant One-Piece Slide Cover
- High Flow 1" distributor
- Optional Vortech™ tank technology maximizing capacity and efficiency
- Treated Water Refill with pre-brine option
- High Flow brine safety float assembly, overflow fitting, grid plate and brine well

| General Specifications                          | CLM24-4<br>CLM24V-4 | CLM32-4<br>CLM32V-4 | CLM48-4<br>CLM48V-4 | CLM64-4<br>CLM64V-4 | CLM96V-4    |
|---|---------------------|---------------------|---------------------|---------------------|-------------|
| Grains Capacity - Regeneration / Lbs Salt Used* | 20,000 / 7.5        | 27,000 / 9          | 40,000 / 15         | 54,000 / 18         | 81,000 / 27 |
| Maximum Raw Water Hardness (grains)             | 50                  | 75                  | 100                 | 100                 | 100         |
| Maximum Clear Iron / Manganese                  | 3                   | 5                   | 5                   | 5                   | 5           |
| Exchange Resin (cu. ft. per tank)               | .75                 | 1.0                 | 1.5                 | 2.0                 | 3.0         |
| Mineral Tank Size                               | 8 x 44              | 9 x 48              | 10 x 54             | 12 x 52             | 13 x 65     |
| Brine Tank (polyethylene w grid & safety)       | 16 x 33             | 16 x 33             | 16 x 33             | 18 x 40             | 18 x 40     |
| Service Flow Rate** (GPM)                       | 8.0                 | 10.0                | 11.0                | 12.0                | 14.0        |
| Backwash Flow Rate (GPM)                        | 1.5                 | 2.0                 | 2.4                 | 3.5                 |             |
| Backwash Flow Rate (GPM) Vortech (V) Units      | 1.2                 | 1.5                 | 2.0                 | 2.4                 | 3.0         |
| Gallons Used / Regeneration Vortech (V) Units   | 69                  | 78                  | 90                  | 117                 | 126         |
| Gallons Used / Regeneration                     | 79                  | 90                  | 101                 | 140                 |             |
| Space Required (D x W x H)                      | 16x26x 53           | 16x27x 56           | 16x28x62            | 18x30x60            | 18x32x74    |
| Approximate Shipping Weight (lbs)               | 88                  | 100                 | 133                 | 164                 | 285         |

\*96 Series only available in Vortech Units

\*\*Factory Salt Settings are 9 lbs / cu. ft.

\*\*\*The pressure drop does not exceed 15 psi at the service flow rate.



### System Features

- Eliminates Hardness (Calcium & Magnesium)
- High Quality Fine Mesh Resin for increased Iron / Manganese Reduction
- **400 Series** Control Valve
- Legacy View Bluetooth enabled control valve for advanced diagnostics and simplified set up
- Simple 9 volt battery back-up keeps electronic meter active and will motor control valve to shut off position if in regeneration during power failure
- On demand meter providing data and history
- Adjustable Cycle Times
- Calendar Day Override
- Proprietary two valve bypass with 1" MNPT Connections
- Weather / Insect Resistant One-Piece Slide Cover
- High Flow 1" distributor
- Treated Water Refill with pre-brine option
- Standard brine tank size 16" X 33"
- High Flow brine safety float assembly, overflow fitting, grid plate and brine well

| General Specifications                           | CLMH32-4     | CLMH48-4     | CLMH64-4     |
|--|--------------|--------------|--------------|
| Grains Capacity - Regeneration /Lbs Salt Used ** | 35,000 / 15  | 52,000 / 24  | 70,000 / 30  |
| Maximum Raw Water Hardness (grains)              | 75           | 100          | 100          |
| Maximum Clear Iron / Manganese                   | 5            | 10           | 10           |
| Exchange Resin (cu. ft. per tank)                | 1.0          | 1.5          | 2.0          |
| Mineral Tank Size                                | 9 x 48       | 10 x 54      | 12 x 52      |
| Brine Tank (polyethylene w grid & safety)        | 16 x 33      | 16 x 33      | 18 x 40      |
| Gravel (in lbs)                                  | 20           | 20           | 30           |
| Service Flow Rate* (GPM)                         | 10.0         | 11.0         | 12.0         |
| Backwash Flow Rate (GPM)                         | 1.5          | 2.0          | 2.4          |
| Gallons Used / Regeneration                      | 72           | 83           | 95           |
| Space Required (D x W x H)                       | 16 x 27 x 56 | 16 x 28 x 62 | 18 x 30 x 60 |
| Approximate Shipping Weight (lbs)                | 130          | 163          | 204          |

\*\*Factory Salt Settings are 9 lbs / cu. ft.

\*\*\*The pressure drop does not exceed 15 psi at the service flow rate.

## System Features



- Eliminates Hardness (Calcium & Magnesium)
- Reduces Chlorine & Chloramine taste and odor
- **400 Series** Control Valve
- Legacy View Bluetooth enabled control valve for advanced diagnostics and simplified set up
- Simple 9 volt battery back-up keeps electronic meter active and will motor control valve to shut off position if in regeneration during power failure
- On demand meter providing data and history
- Adjustable Cycle Times
- Calendar Day Override
- Proprietary two valve bypass with 1" MNPT Connections
- Weather / Insect Resistant One-Piece Slide Cover
- High Flow 1" distributor
- Replaceable Carbon Media
- Features Vortech Mid-Plate Technology
- Treated Water Refill with pre-brine option
- Standard brine tank size 16" X 33"
- Replaceable Carbon Media
- High Flow brine safety float assembly, overflow fitting, grid plate and brine well

| General Specifications             | CLMC32-4     | CLMC48-4     |
|------------------------------------|--------------|--------------|
| Softening Capacity / lbs salt used | 27,000 / 9   | 40,000 / 15  |
| Exchange Resin (cu. ft. per tank)  | 1.0          | 1.5          |
| Catalytic Carbon Media             | .5 cu. ft.   | 1 cu. ft.    |
| Maximum Raw Water Hardness (gpg)   | 75           | 100          |
| Maximum Raw Water Iron (ppm)       | 5            | 5            |
| Service Flow Rate (GPM)            | 5            | 8            |
| Intermittent Flow Rate (GPM)       | 7            | 10           |
| Backwash Flow Rate (GPM)           | 2.4          | 3.5          |
| Mineral Tank Size (inches)         | 10 x 54      | 13 x 54      |
| Gallon Used / Regeneration         | 81           | 105          |
| Space Required                     | 16 x 28 x 62 | 16 x 31 x 73 |
| Approximate Shipping Weight (lbs)  | 130          | 240          |



### System Features

- Eliminates Hardness (Calcium & Magnesium)
- Reduces Chlorine & Chloramine taste and odor
- **400 Series** Control Valve with Screw Drive Technology for piston accuracy
- Legacy View Bluetooth enabled control valve for advanced diagnostics and simplified set up
- Simple 9 volt battery back-up keeps electronic meter active and will motor control valve to shut off position if in regeneration during power failure
- On demand meter providing data and history
- Proprietary two valve bypass with 1" MNPT Connections
- Adjustable Cycle Times
- Calendar Day Override
- Weather / Insect Resistant One-Piece Slide Cover
- High Flow 1" distributor for better service flow and lower pressure drop
- Dual tank system for easy media replacement
- Treated Water Refill with pre-brine option
- High Flow brine safety float assembly, overflow fitting, grid plates and brine well

| General Specifications                    | CLM32TC-C4   | CLM48TC-C4   |
|---|--------------|--------------|
| Softening Capacity / lbs salt used**      | 27,000 / 9   | 40,000 / 15  |
| Exchange Resin (cu. ft. per tank)         | 1.0          | 1.5          |
| Catalytic Carbon Media                    | .5 cu. ft.   | 1 cu. ft.    |
| Maximum Raw Water Hardness (gpg)          | 75           | 100          |
| Maximum Raw Water Iron (ppm)              | 5            | 5            |
| Service Flow Rate (GPM)*                  | 5            | 8            |
| Intermittent Flow Rate (GPM)              | 7            | 10           |
| Backwash Flow Rate (GPM)                  | 2.4          | 3.5          |
| Resin Tank Size (inches)                  | 10 x 40      | 12 x 35      |
| Carbon Tank Size (inches)                 | 10 x 18      | 10 x 35      |
| Gallon Used / Regeneration                | 81           | 105          |
| Brine Tank (polyethylene w grid & safety) | 16 x 33      | 16 x 33      |
| Space Required                            | 16 x 28 x 62 | 16 x 31 x 73 |
| Approximate Shipping Weight (lbs)         | 130          | 240          |

## System Features



- Legacy View Bluetooth enabled control valve for advanced diagnostics and simplified set up
- Simple 9 volt battery back-up keeps electronic meter active and will motor control valve to shut off position if in regeneration during power failure
- Optional double backwash feature offers optimum regeneration, cleaning ability, and efficiency
- Treated water refill with pre-brine option
- Downflow regeneration
- 12 VDC operation (includes a 12 v transformer)
- Proprietary two valve bypass with 1" MNPT Connections
- 5 cycles, all fully adjustable
- Programming ease and options increase efficiency, save salt and water
- Strong, durable Noryl valve body, weather insect resistant one-piece, slide.
- Immediate initiated regeneration
- 24 hour / day soft water
- Vortech™ Option Available

| General Specifications                           | CLAD48-TW<br>CLAD48V-TW | CLAD64-TW<br>CLAD64V-TW | CLAD96-TW<br>CLAD96V-TW | CLAD128-TW<br>CLAD128V-TW |
|--|-------------------------|-------------------------|-------------------------|---------------------------|
| Grains Capacity / Lbs Salt Used per regeneration | 20,000/7.5              | 27,000/9.0              | 40,000/15.0             | 54,000 / 18.0             |
| Maximum Raw Water Hardness (grains)              | 50                      | 75                      | 100                     | 100                       |
| Maximum Clear Iron / Manganese (ppm)             | 3                       | 5                       | 5                       | 5                         |
| Exchange Resin (cu. ft. per tank)                | .75                     | 1.0                     | 1.5                     | 2.0                       |
| Mineral Tanks (polyglass)                        | (2) 8 x 44              | (2) 9 x 48              | (2) 10 x 54             | (2) 12 x 52               |
| Brine Tank (polyethylene w grid & safety)        | 16 x 33                 | 16 x 33                 | 16 x 33                 | 18 x 40                   |
| Service Flow Rate (GPM per active tank)          | 8.0                     | 10.0                    | 11.0                    | 12.0                      |
| Backwash Flow Rate (GPM)                         | 1.5                     | 2.0                     | 2.4                     | 3.5                       |
| Gallons Used / Regeneration                      | 79                      | 90                      | 101                     | 140                       |
| Backwash Flow Rate (GPM) Vortech™ (V) Units      | 1.2                     | 1.5                     | 2.0                     | 2.4                       |
| Gallons Used / Regeneration Vortech™ (V) Units   | 69                      | 78                      | 90                      | 117                       |
| Space Required                                   | 16 x 34 x 52            | 16 x 34 x 56            | 16 x 36 x 62            | 16 x 40 x 60              |
| Approximate Shipping Weight (lbs)                | 139                     | 169                     | 237                     | 299                       |



### System Features

- Eliminates Hardness (Calcium & Magnesium)
- Reduces Tannin stains, taste & odor
- **400 Series** Control Valve
- Legacy View Bluetooth enabled control valve for advanced diagnostics and simplified set up
- Simple 9 volt battery back-up keeps electronic meter active and will motor control valve to shut off position if in regeneration during power failure
- On demand meter providing data and history
- Adjustable Cycle Times
- Calendar Day Override
- Proprietary two valve bypass with 1" MNPT Connections
- Weather / Insect Resistant One-Piece Slide Cover
- High Flow 1" distributor
- Vortech Distributor Plate
- Treated Water Refill with pre-brine option
- High Flow brine safety float assembly, overflow fitting, grid plates and brine well

| General Specifications                       | CLMT24-4     | CLMT32 -4    | CLMT48-4     |
|--|--------------|--------------|--------------|
| Grains Capacity / Hardness per Regeneration  | 24,000       | 32,000       | 48,000       |
| Salt Used / Regeneration (lbs)               | 12.0         | 15.0         | 24.0         |
| Maximum Raw Water Hardness (grains)          | 10           | 10           | 10           |
| Maximum Clear Iron / Manganese (ppm)         | .50          | .50          | .50          |
| Exchange Resin (cu ft)                       | .75          | 1.0          | 1.5          |
| Tannin Resin (cu ft)                         | .25          | .50          | .50          |
| Mineral Tank Size                            | 9 x 48       | 10 x 54      | 12 x 52      |
| Brine Tank (polyethylene with grid & safety) | 16 x 33      | 16 x 33      | 18 x 40      |
| Service Flow Rate (GPM)                      | 10.0         | 11.0         | 12.0         |
| Backwash Flow Rate (GPM)                     | 1.2          | 1.5          | 2.0          |
| Gallons Used / Regeneration                  | 69           | 80           | 93           |
| Space Required (D x W x H)                   | 16 x 27 x 56 | 16 x 28 x 62 | 16 x 30 x 60 |
| Approximate Shipping Weight (lbs)            | 100          | 133          | 164          |

\* The pressure drop does not exceed 15.0 psi at the service flow rate.

\*\*Factory Salt Setting; 15lbs./cuft.



## System Features

- Reduces Nitrates (EPA MCL – 10.0 mg/l)
- Reduces Sulfates (EPA SMCL– 250 mg/l)
- **400 Series** Control Valve
- Legacy View Bluetooth enabled control valve for advanced diagnostics and simplified set up
- Simple 9 volt battery back-up keeps electronic meter active and will motor control valve to shut off position if in regeneration during power failure
- On demand meter providing data and history
- Adjustable Cycle Times
- Calendar Day Override
- Proprietary two valve bypass with 1" MNPT Connections
- Weather / Insect Resistant One-Piece Slide Cover
- High Flow 1" distributor
- Vortech Distributor Plate
- Treated Water Refill with pre-brine option
- High Flow brine safety float assembly, overflow fitting, grid plates and brine well

| General Specifications                       | CLMN15-4     | CLMN25-4     |
|--|--------------|--------------|
| Grains Capacity / Regeneration               | 15,000       | 25,000       |
| Salt Used / Regeneration                     | 18.0         | 30.0         |
| Maximum Raw Water Nitrate / Sulfate (mg/l)   | 100          | 100          |
| Maximum Clear Iron / Manganese (ppm)         | 0            | 0            |
| Exchange Resin (cu ft)                       | 1.5          | 2.5          |
| Mineral Tank Size                            | 10 x 54      | 13 x 54      |
| Brine Tank (polyethylene with grid & safety) | 16 x 33      | 18 x 40      |
| Service Flow Rate (GPM)*                     | 5.0          | 8.0          |
| Backwash Flow Rate ((GPM)                    | 1.2          | 2.4          |
| Gallons Used / Regeneration                  | 60           | 80           |
| Space Required (D x W x H)                   | 16 x 28 x 62 | 16 x 31 x 62 |
| Approximate Shipping Weight (lbs)            | 133          | 251          |



## System Features

- Perfect for Filtering and Softening in ONE System
- **400 Series** Control Valve
- Legacy View Bluetooth enabled control valve for advanced diagnostics and simplified set up
- Simple 9 volt battery back-up keeps electronic meter active and will motor control valve to shut off position if in regeneration during power failure
- On demand meter providing data and history
- Adjustable Cycle Times
- Calendar Day Override
- Proprietary two valve bypass with 1" MNPT Connections
- Weather / Insect Resistant One-Piece Slide Cover
- High Flow 1" distributor
- Features Vortech™ mid-plate technology
- Treated Water Refill with pre-brine option
- High Flow brine safety float assembly, overflow fitting, grid plates and brine well

| General Specifications             | CLMSF32-10D-4 | CLMSF48-15D-4 |
|------------------------------------|---------------|---------------|
| Softening Capacity / lbs salt used | 27,000 / 9    | 40,000 / 15   |
| Exchange Resin (cu. ft. per tank)  | 1.0           | 1.5           |
| Filter Media Capacity              | 1 cu. ft.     | 1.5 cu. ft.   |
| Softening Capacity                 | 32,000        | 48,000        |
| Service Flow Rate (GPM)            | 5.0           | 8.0           |
| Intermittent Flow Rate (GPM)       | 7.0           | 10.0          |
| Backwash Flow Rate (GPM)           | 5.0           | 7.0           |
| Gallons Used / Regeneration        | 145           | 185           |
| Mineral Tank Size                  | 10 x 65       | 13 x 65       |
| Space Required (D x W x H)         | 16 x 28 x 73  | 16 x 31 x 73  |
| Approximate Shipping Weight (lbs)  | 126           | 182           |



## System Features

- **400 Series** Control Valve
- Legacy View Bluetooth enabled control valve for advanced diagnostics and simplified set up
- On demand meter providing data and water usage history
- Simple 9 volt battery back-up keeps electronic meter active and will motor control valve to shut off position if in regeneration during power failure
- Vortech™ distributor plate
- Adjustable Cycle Times
- High Backwash flow capability
- Proprietary two valve bypass with 1" MNPT Connections
- Weather / Insect Resistant One-Piece Slide Cover
- Optional dome fill hole and closure
- Optional "natural" color
- No chemical regenerants required

| General Specifications                 | CLF9-4            | CLF10-4      | CLF12-4      | CLF13-4      | CLF14-4      |
|--|-------------------|--------------|--------------|--------------|--------------|
| Filter Media Type                      | Less Filter Media |              |              |              |              |
| Filter Media Capacity (cu. ft.)        | 1.0               | 1.5          | 2.0          | 2.5          | 3.0          |
| Mineral Tank Size                      | 9 x 48            | 10 x 54      | 12 x 52      | 13 x 54      | 13 x 65      |
| Service Flow Rate - Continuous (GPM)   | 4                 | 5            | 6            | 8            | 9            |
| Service Flow Rate - Intermittent (GPM) | 6                 | 7            | 8            | 10           | 11           |
| Backwash Flow Rate (GPM)               | 5.0               | 5.0          | 6.0          | 7.0          | 7.0          |
| Gallons Used / Backwash                | 100               | 100          | 120          | 140          | 140          |
| Space Required (D x W x H)             | 9 x 9 x 56        | 10 x 10 x 62 | 12 x 12 x 60 | 13 x 13 x 62 | 14 x 14 x 74 |
| Approximate Shipping Weight (lbs)      | 27                | 32           | 35           | 40           | 49           |



### System Features

- **400 Series** Control Valve
- Legacy View Bluetooth enabled control valve for advanced diagnostics and simplified setup
- Patented NSF Std. 61 validated Titanium Oxide Adsorbent Media for the efficient reduction of both Arsenic III & V
- On demand meter providing data and water usage history
- Proprietary two valve bypass with 1" MNPT Connections
- Simple 9 volt battery back-up keeps electronic meter active and will motor control valve to shut off position if in regeneration during power failure
- Excellent reduction of a wide range of heavy metals including Lead, Cadmium, Copper, Selenium, Uranium, Vanadium & Zinc
- Non-hazardous disposal of media as solid waste - media passes EPA TCLP (Toxicity Characteristic Leach Procedure)
- Higher adsorbent capacity than GFO (Granular Ferric Oxide) & GFH (Granular Ferric Hydroxide)
- Weather / Insect Resistant One-Piece Slide Cover
- Vortech™ distributor plate

| General Specifications                        | CLA10-4    | CLA20-4      | CLA30-4      |
|---|------------|--------------|--------------|
| Arsenic/Heavy Metals Adsorption Media (cu ft) | 1.0        | 2.0          | 3.0          |
| Filter Sand Underbedding (lbs.)               | 10         | 20           | 30           |
| Acceptable pH Range                           | 6.5 - 8.5  |              |              |
| Maximum Iron (ppm)                            | <0.30      | <0.30        | <0.30        |
| Maximum Manganese (ppm)                       | < .04      | < .04        | < .04        |
| Maximum Service Flow Rate                     | 5.0        | 8.0          | 11.0         |
| Backwash/Rinse Flow Rate (GPM)                | 2.0        | 4.0          | 5.0          |
| Gallons Used Backwash/Rinse                   | 30         | 60           | 75           |
| Mineral Tank (Vortech™)                       | 9 x 48     | 12 x 52      | 13 x 65      |
| Space Required (D X W X H in.)                | 9 x 9 x 56 | 12 x 12 x 60 | 13 x 13 x 74 |
| Approximate Shipping Weight (lbs)             | 80         | 140          | 185          |



## System Features

- Full flow 1" service lines for Whole House performance of up to 25 GPM
- Longer life and lower pressure drop than traditional 2-½" and 4-½" cartridge filters
- Bypass and Pressure Release Valve allow for quick filter change without removal from plumbing - no tools necessary
- Union connections simplify installation
- Up to 150 psi working pressure
- Top dust Cover Keeps dust and dirt from accumulating and getting inside housing during filter change
- Free Standing - No need for mounting brackets or wall anchoring
- **Part Number MF-40**



Carbon Block Filters



Poly Wound / Melt Blown



Pleated

### Carbon Block Filters for Taste/ Odor Removal & Sediment

| General Specifications    | CT-03-CB   | CT-20-CB   | CT-03-CB-AMINE  |
|---------------------------|--|--|---|
| Micron Rating             | 3  | 20   | 3   |
| Treatment Description     | Chlorine / Sediment  | Chlorine / Sediment  | Chlorine / Sediment / Chloramine                                  |
| Max Flow Rate / psi drop  | 25 GPM / 4 psi   | 25 GPM / 3 psi   | 25 GPM / 4 psi  |
| Estimated Gallon Capacity | 250,000 gallons of water @ 15 GPM with greater than 90% reduction, estimated capacity using 2.0 ppm of free chlorine | 150,000 gallons of water with 90% reduction using 2.0 ppm free chlorine @ 7 GPM. | 50,000 gallons of water with 85% reduction of chloramine @ 7 GPM. |



### Filters for Sediment Removal

| General Specifications                       | CT-2005 - SWMB                  | CT-2010                                  | CT-1005                                  |
|--|---------------------------------|--|--|
| Micron Rating                                | Outer layer 20 / Inner core 5   | Outer layer 20 / Inner core 10           | Outer layer 10 / Inner Core 5            |
| Treatment Description                        | Sediment                        | Sediment                                 | Sediment                                 |
| Max Flow Rate / psi drop                     | 25 GPM / 4 psi                  | 25 GPM / 4 psi                           | 25 GPM / 4 psi                           |
| Surface area vs typical 4.5" x 20" cartridge | 2 times as much                 | 6.5 times as much                        | 6.5 times as much                        |
| Filter Type                                  | String Wound w/ Melt Blown Core | Dual Gradient / Double Pleated Polyester | Dual Gradient / Double Pleated Polyester |



## System Features

- Two different models for reduction of Arsenic or Lead/PFOA/PFOS
- DROP App to Control System from Anywhere
- Water Usage Data and History
- Provides Cartridge Replacement Notification
- 9V Battery Backup for Power Loss
- Full flow 1" services lines for whole house performance of up to 25 GPM
- Top Dust Cover keeps dust and dirt from accumulating and getting inside housing during filter change
- Proprietary motorized bypass with 1" MNPT Connections
- Can be remotely shut-off or bypassed through the DROP App
- 5 Year Warranty on tank
- 1 Year Warranty on electronics

### PIONEER® Pb Specifications - Model FC-40P (Lead)

| Cartridge Part Number | Size and Micron Rating | Rated Capacity and Flow Rate  | Peak Flow and % Reduction of Lead and PFOA/PFOS   | Chlorine/chloramine Taste and Odor Reduction Capacity   | Pressure Drop Spec |
|-----------------------|------------------------|---|---|---|--------------------|
| PIONEER® Pb Filter    |                        |   |   |   |                    |
| CT-05-CB-AMYCL        | 8" x 40" / 0.5 Microns | Lead Reduction and PFOA/PFOS 100,000 gallons @ 4.51 GPM (378,541 Liters @ 17.1 lpm)<br><br>@ 99.62% lead reduction<br>@ 97.9% PFOA/PFOS reduction | 8 GPM (30.2 lpm)<br>@ 99.62% lead reduction<br>@ 97.9% PFOA/PFOS reduction<br><br>>88,000 gallons at 8 GPM^ (333,116 Liters @ 30.2 lpm) | >300,000 gallons @ 15 GPM (1,135,533 Liters @ 56.8 lpm) with greater than 90% reduction, estimated capacity using 2 ppm of free chlorine<br><br>>150,000 gallons @ 8 GPM (567,812 Liters @ 30.3 lpm) with greater than 85% reduction, estimated using 3 ppm of chloramine | 9 psid @ 4.51 GPM  |

### PIONEER® As Specifications - Model FC-40A (Arsenic)

| Cartridge Part Number | Size     | Rated Capacity and Flow Rate                                      | Pressure Drop Spec         |
|-----------------------|----------|---|----------------------------|
| PIONEER® As Filter    |          |   |                            |
| CT-5020-F11           | 8" x 40" | Arsenic Reduction 125,000 Gallons @ 7 GPM 473,177 Liters @ 26 lpm | 10 psid @ 7 GPM (26.5 lpm) |

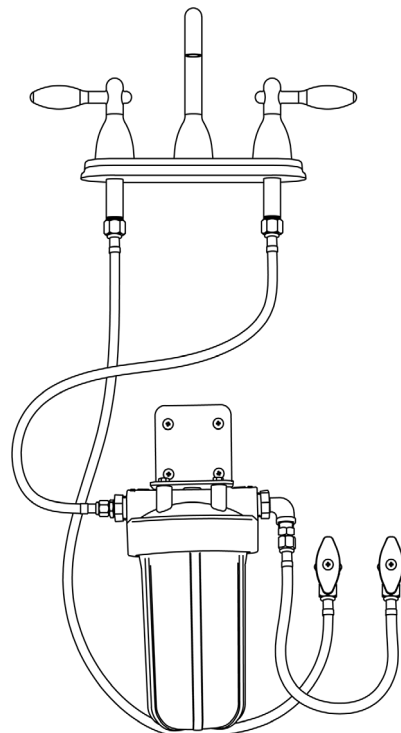
**Forever chemicals (PFAS) pose serious health risks and contaminate water.** Ensure that your drinking and cooking water is PFAS-free with this simple and cost-effective point-of-use filter.

| Dimensions | Flow Rate | Gallons Capacity |
|------------|-----------|------------------|
| 4.5" x 10" | 1.51 GPM  | 8,575            |



## System Features

- Designed specifically for PFAS reduction
- Connects to the cold water line of any faucet
- Simple installation & low maintenance for hassle-free use
- Complete installation kit included
- Optimum protection for safer water
- Effectively removes organics and TOCs
- Part Number PF10J
- Replacement Filter Part Number - 200003X003





### System Features

- De-scale media prevents scale build-up by crystallizing calcium & magnesium (hardness)
- Internal KDF 55 chamber filter / removal of chlorine
- Catalytic carbon / removal of chloramines
- No backwash or drain line required
- Salt free
- Requires no regeneration
- Easy to install
- Electricity is not required
- No TDS is added
- No change in pH
- Upflow configuration to ensure proper fluidization of media
- Includes bypass, union connections, and drainport to allow for easy servicing

| General Specifications            | FTP6         | FTP8         | FTP10        |
|-----------------------------------|--------------|--------------|--------------|
| De-scale Media                    | 4 Liters     | 5 Liters     | 7 Liters     |
| Catalytic Carbon                  | 1 Cu. Ft.    | 1 Cu. Ft.    | 1 Cu. Ft.    |
| Service GPM                       | 6            | 8            | 10           |
| Max Iron                          | 0.5 ppm      | 0.5 ppm      | 0.5 ppm      |
| Space Required (D x W x H)        | 10 x 10 x 64 | 10 x 10 x 64 | 10 x 10 x 64 |
| Approximate Shipping Weight (lbs) | 60           | 62           | 64           |



## System Features

- Bypass with 1" MNPT Connections
- Vortech™ distributor plate
- Optional "natural" color shown (Add "N" suffix to part number)
- Optional dome fill hole and closure available (Add "D" to suffix to part number)
- Simply select and add the desired filter media
- No chemical regenerants required
- Economical alternative in certain applications

| General Specifications                 | U10               | U15          | U20          | U25          |
|--|-------------------|--------------|--------------|--------------|
| Filter Media Type <sup>1</sup>         | Less Filter Media |              |              |              |
| Filter Media Capacity (cu ft)          | 1.0               | 1.5          | 2.0          | 2.5          |
| Mineral Tank Size                      | 9 x 48            | 10 x 54      | 12 x 52      | 13 x 54      |
| Service Flow Rate - Continuous (GPM)   | 4                 | 5            | 6            | 8            |
| Service Flow Rate - Intermittent (GPM) | 6                 | 7            | 8            | 10           |
| Space Required (D x W x H)             | 9 x 9 x 52        | 10 x 10 x 58 | 12 x 12 x 56 | 13 x 13 x 58 |
| Approximate Shipping Weight (lbs)      | 20                | 25           | 30           | 35           |



### System Features

- Filtration down to .02 micron - excellent for organic color, tannins, colloidal clay, virus, bacteria & cyst reduction
- Utilizes the Clearion Shuttle Valve System to provide automatic clean water backwash of the UF membranes and tank flushing (a pressure tank with 15 gallons draw down is required and is not included)
- Membranes are NSF Standard 61 Certified
- Tank is NSF Standard 44 Certified

| General Specifications                            | UF8C        |
|---|-------------|
| Micron Rating                                     | .02         |
| Pre-Filtration Required (microns)                 | <5          |
| Maximum Clear Iron / Manganese (ppm)              | 0           |
| Service Flow Rate (GPM)                           | 10          |
| Backwash Flow Rate (GPM)                          | 5.0         |
| Gallons Used / Regeneration                       | 15          |
| Space Required (D x W x H)                        | 8 x 14 x 56 |
| Approximate Shipping Weight (lbs) - Must Ship LTL | 46          |



## System Features

- 400 Series Control Valve
- Legacy View Bluetooth enabled control valve for advanced diagnostics and simplified set up through the app
- Simple 9 volt battery back-up keeps electronic meter active and will motor control valve to shut off position if in regeneration during power failure
- Includes meter to provide water usage history
- Adjustable cycle times
- Proprietary two valve bypass with 1" MNPT Connections
- High Flow 1" distributor
- Includes gravel bed
- Top cap fill opening for ease of service / great for adding neutralizer media or replacing carbon media
- Standard natural color tank allows you to monitor media level
- Compatible with any type of well pump system
- Drain valve included to remove water from the tank prior to adding media

| General Specifications                 | SMD15-4      | SMD25-4      |
|--|--------------|--------------|
| Media Capacity (cu. ft.)               | 1.5 cu. ft.  | 2.5 cu. ft.  |
| Mineral Tank Size                      | 10 X 54      | 13 X 54      |
| Service Flow Rate - Continuous (GPM)   | 5            | 8            |
| Service Flow Rate - Intermittent (GPM) | 7            | 10           |
| Backwash Flow Rate (GPM)               | 5.0          | 7.0          |
| Gallons Used / Backwash                | 100          | 140          |
| Space Required (D x W x H)             | 10 X 21 X 61 | 13 X 24 X 61 |
| Approximate Shipping Weight            | 65           | 105          |



### System Features

- 400 Series Control Valve
- Legacy View Bluetooth enabled control valve for advanced diagnostics and simplified setup
- Simple 9 volt battery back-up keeps electronic meter active and will motor control valve to shut off position if in regeneration during power failure
- Adjustable Cycle Times
- Proprietary two valve bypass with 1" MNPT Connections
- Weather / Insect Resistant One-Piece Slide Cover
- Filters come standard with dome hole and natural color
- All tanks feature Vortech distributor plate
- Standard brine tank size 16"x 33"

|                                   | Softeners           | Backwashing Filter  | Iron / Sulfur Aeration Filter |
|-----------------------------------|---------------------|---------------------|-------------------------------|
| <b>General Specifications</b>     | <b>CLM32VN-SQ-4</b> | <b>CLF10ND-SQ-4</b> | <b>CLF10DN-360-SQ-4</b>       |
| Softening Capacity                | 32,000 grains       | N/A                 | N/A                           |
| Media Type                        | Softener Resin      | N/A                 | N/A                           |
| Media Capacity                    | 1.0                 | 1.5                 | 1.5                           |
| Reactr Tank                       | N/A                 | N/A                 | N/A                           |
| Mineral Tank Size                 | 10 x 35             | 13 x 35             | 13 x 35                       |
| Service Flow Rate                 | 8.0                 | 5.0                 | 5.0                           |
| Backwash Rate                     | 2.0                 | 7.0                 | 7.0                           |
| Space Required                    | 16 x 26 x 43        | 13 x 13 x 43        | 13 x 13 x 43                  |
| Approximate Shipping Weight (lbs) | 78                  | 140                 | 140                           |

Note: Caution should always be used in sizing filters! Always choose a unit by first satisfying the Backwash requirement. Use of a flow control in the Service Line is highly recommended. Consult the factory or your field sales person with questions.

| Media                                | Ship Wt. (lbs) | Description  | Handles...  | Used in...                                    |
|--------------------------------------|----------------|--|---|---|
| SmartBlend™<br>SB75<br>SB10          | 45<br>61       | Granular / White-Black / Blend of Filter Ag Plus and Katalox Light / Max life expectancy about 8-10 years but is dependent upon water chemistry and usage  | Sediment, Adjusts pH, Iron (clear & red) Manganese (clear & red) Sulfur Particles           | Sidekick                                      |
| Neutralizer<br>NE50<br>NE75<br>NE10  | 50<br>64<br>85 | Granular / White / Sacrificial to water with pH, 7.0 / Max pH correction to 7.2 / Lowest pH application 5.8 / Must be replenished about every 6 months to 1 year   | Sediment (downflow) pH correction   | Whole House Filter Upflow and Optimizr        |
| Neu-Cor™<br>NC75<br>NC10             | 62<br>82       | Granular / Semi-round / White & Off-white / 70%-30% Blend of Neutralizer & Corosex® must be replenished on a regular basis since both components are sacrificial to low pH / Use on pH levels as low as 5.0                | Sediment (downflow) pH Correction   | Whole House Filter Upflow and Optimizr        |
| Corosex®<br>CX75<br>CX10             | 79<br>103      | Semi-round / Off-White / Magnesium Oxide / Extremely reactive to pH dissolving rapidly adding alkalinity / NEVER use 100% Corosex® in a filter as it will "cement"   | Sediment (downflow) pH Correction   | Whole House Filter Upflow and Optimizr        |
| Coconut Shell Carbon<br>CN75<br>CN10 | 22<br>30       | Black / High carbon-low ash content. Practical for ordinary taste, odor and chlorine loads. Will impart a high "polish" to the filtered water.   | Taste/Odor/Chlorine   | Whole House Filter Upflow and Optimizr        |
| Activated Carbon<br>AC75<br>AC10     | 21<br>28       | Granular / Black / Wide application for removal of organics and some inorganics / Must be replaced on a regular basis / Life expectancy varies based on use  | Sediment Taste/Odor/Color Chlorine/Iodine   | Whole House Filter Upflow and Optimizr        |
| Catalytic Carbon<br>CC75<br>CC10     | 26<br>34       | Granular/Black / enhanced activated carbon that has a higher catalytic power which produces an increased electron transfer for better absorption.  | Sulfur Removal Chloramines  | Whole House Filter Sidekick 'S' City Softener |
| Filter Ag®<br>FA75<br>FA10           | 21<br>28       | Granular / Off-White / Wide application for removal of sediment / Life expectancy is unlimited   | Sediment  | Whole House Filter                            |
| Filter Ag Plus<br>FP75<br>FP10       | 37<br>50       | Light tan to white, 5 micron filtration  | Sediment  | Whole House Filter                            |
| Katalox Light<br>KL75<br>KL10        | 49<br>66       | Granular / Dark Gray / Max iron and Manganese level 10 ppm and H2S 1ppm / Estimated life 8 - 10 years Requires backwashing but not regeneration  | Sediment (downflow) Iron (Clear & Red) Manganese (Clear & Red) Sulfur Removal pH Correction | Whole House Filter Sidekick Optimizr          |
| Birm®<br>BM75<br>BM10                | 37<br>49       | Granular / Gray / Must not be used on waters with a pH < 6.8 / Must have dissolved oxygen present at a level of at least 15% of iron & manganese ppm / Max iron & manganese level 10 ppm / Estimated life about 8-10 years | Sediment Iron (clear & red) Manganese (clear & red)   | Whole House Filter                            |
| GT10                                 | 42             | Arsenic Media  | Arsenic III and V   | Arsenic / Heavy Metal Filter                  |
| "B" Gravel<br>BG20<br>BG50           | 20<br>50       | Semi-Round / Brown / #20 Flint / Used as underbed for all media in all filters providing for excellent flow distribution in both service and backwash modes / Permanent unless fouled but can be cleaned and re-used.      | Underbed  | All Non-Vortech Filter Tanks                  |

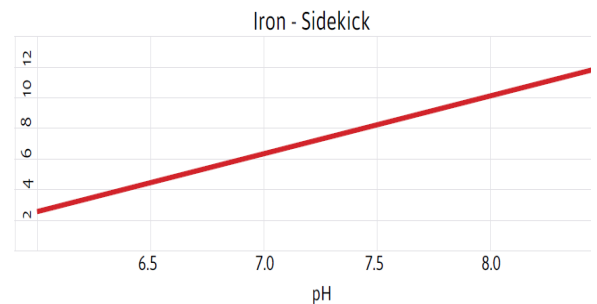
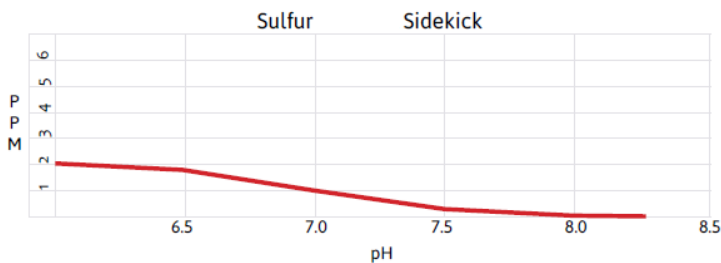


Ozone Complete Option Available

### System Features

- Air is injected into the top of the tank converting ferrous iron to ferric iron after untreated water has passed through the control valve preventing the control valve from fouling with iron
- **400 Series** Control Valve
- Legacy View Bluetooth enabled control valve for advanced diagnostics and simplified setup
- Simple 9 volt battery back-up keeps electronic meter active and will motor control valve to shut off position if in regeneration during power failure
- On-demand meter provides detailed water usage data and history
- Air draw cycle can be initiated without a backwash cycle saving 1000's of gallons of water annually
- The control valve slowly releases the compressed air charge prior to backwash, preventing explosive discharge and drain line disruption
- Adjustable cycle times
- Proprietary two valve bypass with 1" MNPT Connections
- High Flow 1" distributor
- Smart Blend filter media
- Top cap fill opening for ease of service
- Compatible with any type of well pump system
- Compatible with any type of well pump system

| General Specifications                 | CLSK15-4     | CLSK25-4     |
|--|--------------|--------------|
| Smart Blend Media Capacity (cu ft)     | 1.5 cu. ft.  | 2.5 cu. ft.  |
| Mineral Tank Size                      | 10 x 54      | 13 x 54      |
| Service Flow Rate - Continuous (GPM)   | 5            | 8            |
| Service Flow Rate - Intermittent (GPM) | 7            | 10           |
| Backwash Flow Rate (GPM)               | 5.0          | 7.0          |
| Gallons Used / Backwash                | 106          | 146          |
| Space Required (D x W x H)             | 10 x 21 x 61 | 13 x 24 x 61 |
| Approximate Shipping Weight            | 160          | 236          |

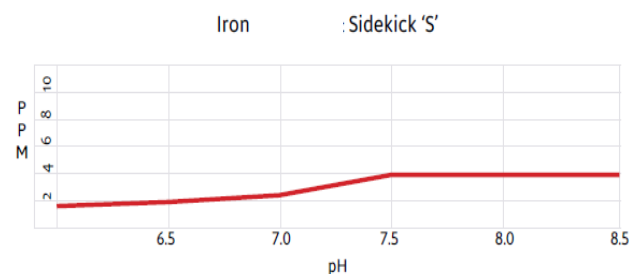
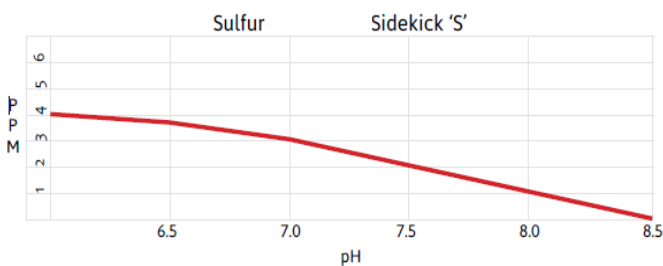




## System Features

- Legacy View Bluetooth enabled control valve for advanced diagnostics and
- **400 Series** Control Valve
- Simple 9 volt battery back-up keeps electronic meter active and will motor control valve to shut off position if in regeneration during power failure
- On-demand meter provides detailed water usage data and history
- Air draw cycle can be initiated without a backwash cycle saving 1000's of gallons of water annually
- The control valve slowly releases the compressed air charge prior to backwash, preventing explosive discharge and drain line disruption
- Adjustable cycle times
- Proprietary two valve bypass with 1" MNPT Connections
- High Flow 1" distributor
- Catalytic Carbon & KDF cubes for Sulfur Reduction
- Top cap fill opening for ease of service
- Compatible with any type of well pump system
- Top cap fill opening for ease of service
- Compatible with any type of well pump system

| General Specifications                    | CLSK15S-4    | CLSK25S-4    |
|---|--------------|--------------|
| Catalytic Carbon Media Capacity (cu. ft.) | 1.5 cu. ft.  | 2.5 cu. ft.  |
| KDF Cubes                                 | 1.5 lbs      | 2.5 lbs      |
| Mineral Tank Size                         | 10 X 54      | 13 X 54      |
| Service Flow Rate - Continuous (GPM)      | 5            | 8            |
| Service Flow Rate - Intermittent (GPM)    | 7            | 10           |
| Backwash Flow Rate (GPM)                  | 5.0          | 7.0          |
| Gallons Used / Backwash                   | 106          | 146          |
| Space Required (D x W x H) per tank       | 10 x 21 x 61 | 13 x 24 x 61 |
| Approximate Shipping Weight               | 160          | 236          |



### System Features



- Air is injected into the top of the tank converting ferrous iron to ferric iron after untreated water has passed through the control valve preventing the control valve from fouling with iron
- **400 Series** Control Valve
- Legacy View Bluetooth enabled control valve for advanced diagnostics and simplified setup
- Simple 9 volt battery back-up keeps electronic meter active and will motor control valve to shut off position if in regeneration during power failure
- On-demand meter provides detailed water usage data and history
- Air draw cycle can be initiated without a backwash cycle saving 1000's of gallons of water annually
- The control valve slowly releases the compressed air charge prior to backwash, preventing explosive discharge and drain line disruption
- Adjustable cycle times
- Proprietary two valve bypass with 1" MNPT Connections
- High Flow 1" distributor
- Smart Blend filter media
- Compatible with any type of well pump system
- Top cap fill opening for ease of service
- Compatible with any type of well pump system

| General Specifications                 | CLSK10-S4    | CLSK20-S4    |
|--|--------------|--------------|
| Smart Blend Media Capacity (cu. ft.)   | 1 cu. ft.    | 2 cu. ft.    |
| Mineral Tank Size - Top Tank           | 10 x 18      | 10 x 18      |
| Bottom Tank                            | 10 x 40      | 12 x 48      |
| Service Flow Rate - Continuous (GPM)   | 5            | 6            |
| Service Flow Rate - Intermittent (GPM) | 7            | 8            |
| Backwash Flow Rate (GPM)               | 5.0          | 6.0          |
| Gallons Used / Backwash                | 106          | 131          |
| Space Required (D x W x H)             | 10 x 21 x 64 | 13 x 24 x 72 |
| Approximate Shipping Weight            | 140          | 220          |



## System Features

- *400 Series* Control Valve
- Legacy View Bluetooth enabled control valve for advanced diagnostics and simplified setup
- Simple 9 volt battery back-up keeps electronic meter active and will motor control valve to shut off position if in regeneration during power failure
- On-demand meter provides detailed water usage data and history
- Air draw cycle can be initiated without a backwash cycle saving 1000's of gallons of water annually
- The control valve slowly releases the compressed air charge prior to backwash, preventing explosive discharge and drain line disruption
- Adjustable cycle times
- Proprietary two valve bypass with 1" MNPT Connections
- High Flow 1" distributor
- Catalytic Carbon & KDF cubes for Sulfur Reduction
- Compatible with any type of well pump system
- Smart Blend filter media
- Top cap fill opening for ease of service
- Compatible with any type of well pump system

| General Specifications                    | CLSK10S-S4   | CLSK20S-S4   |
|---|--------------|--------------|
| Catalytic Carbon Media Capacity (cu. ft.) | 1 cu. ft.    | 2 cu. ft.    |
| KDF Cubes                                 | 1 lb.        | 2 lbs.       |
| Mineral Tank Size - Top Tank              | 10 x 18      | 10 x 18      |
| Bottom Tank                               | 10 x 40      | 12 x 48      |
| Service Flow Rate - Continuous (GPM)      | 5            | 6            |
| Service Flow Rate - Intermittent (GPM)    | 7            | 8            |
| Backwash Flow Rate (GPM)                  | 5.0          | 6.0          |
| Gallons Used / Backwash                   | 106          | 131          |
| Space Required (D x W x H)                | 10 x 21 x 64 | 13 x 24 x 72 |
| Approximate Shipping Weight               | 120          | 175          |

| General Specifications             | ZPR13  |
|------------------------------------|--|
| Treatment Rate                     | 2.5 - 10 GPM (can be custom configured based on well capacity) |
| Flow Rates                         | Up to 20 GPM   |
| Minimum Space Required (D x W x H) | 28 x 72 x 80   |



## System Features

- 99% Radon Removal
- Streamlined modular design
- Proprietary Quadtrain air injector nozzle is compatible with well pump flow rates of 2.5 - 10 GPM. (can be custom configured based on well pump capacity)
- Turbulence ensures radon in water gets released
- Force of blower ensures radon gas is safely vented outside
- Transducer monitors water level
- Controller will cycle pump off and on as needed to ensure clean water for your home
- Drain ports for easy service or winterization
- Re-pressurization pump included
- Pressure tank with 12 gallons of drawdown required to be plumbed downstream (not included)
- Part Number ZPR13

### Water Quality Parameters



UV disinfection is extremely effective against microorganisms but only if the UV light can pass through the water it needs to treat. This means that the quality of your water is very important in order to ensure complete disinfection. Treated water should be tested for at least the parameters listed below. If the water exceeds the listed parameters appropriate pretreatment equipment must be installed (equipment required will depend on parameters being treated):

**Hardness:** <7 gpg (120 mg/L) – if hardness level is 7 gpg or slightly below the quartz sleeve must be cleaned periodically in order to ensure efficient UV penetration; if above the water should be softened.

**Iron (Fe):** <0.3 ppm (0.3 mg/L)

**Manganese (Mn):** <0.05 ppm (0.05 mg/L)

**Turbidity:** < 1 NTU

**Tannins (organics):** <0.1 ppm (0.1 mg/L)

**UVT (transmittance):** >85%

Many wells, ponds and other untreated water sources may contain unwanted or harmful organisms supply tested drinkable one day, may become contaminated from underground seepage, surface water or ground water fouling from a myriad of sources. Ultra Violet systems address these concerns without having to add chemicals like chlorine to water or changing its chemical composition.

| General Specifications                | UV6          | UV11         | UV11D        | UV15D      |
|---------------------------------------|--------------|--------------|--------------|------------|
| Lamp                                  | UVLMP-6      | UVLMP-11     | UVLMP-11     | UVLMP-15   |
| Sleeve                                | UVQTZ-6      | UVQTZ-11     | UVQTZ-11     | UVQTZ-15   |
| Max GPM @ 30mj / cm <sup>2</sup>      | 6            | 11           | 11           | 15         |
| Inlet / Outlet                        | 3/4" MNPT    | 3/4" MNPT    | 3/4" MNPT    | 1" MNPT    |
| Chamber                               | 20.5" x 2.5" | 35.2" x 2.5" | 35.2" x 2.5" | 40" x 2.5" |
| Solenoid                              | No           | No           | Optional     | Optional   |
| Lamp Out Indicator (audible & visual) | Yes          | Yes          | Yes          | Yes        |
| Lamp Life Countdown                   | Yes          | Yes          | Yes          | Yes        |
| Digital Display                       | No           | No           | Yes          | Yes        |
| UV Monitor                            | No           | No           | Optional     | Optional   |
| Shipping Weight                       | 10 lbs       | 15 lbs       | 15 lbs       | 18 lbs     |

## System Features



- All in one simple system that fits under your sink! Treatment of water by reverse osmosis represents a modern breakthrough in water filters. Water is processed at the molecular level, providing you and your family a reliable supply of quality drinking water.
- Major bottled water companies use this process to filter water prior to bottling.
- Chandler Systems has combined this fantastic reverse osmosis process with quality components to create a compact drinking water appliance that fits neatly under your sink.

| General Specifications                                   | TFC3 NSF CERTIFIED         | TFC4 NSF CERTIFIED         | TFC300                     |
|--|----------------------------|----------------------------|----------------------------|
| Membrane Rating <sup>1</sup><br>Production TDS Reduction | 41-53 Gallons / Day<br>96% | 41-53 Gallons / Day<br>96% | 41-53 Gallons / Day<br>96% |
| System Rating <sup>2</sup><br>Production TDS Reduction   | 12 Gallons / Day<br>95%    | 12 Gallons / Day<br>95%    | 12 Gallons / Day<br>95%    |
| Input Water Requirements                                 | TFC3                       | TFC4                       | TFC300                     |
| Water Pressure   | 40 - 100 psi               | 40 - 100 psi               | 40 - 100 psi               |
| Total Dissolved Solids (TDS)                             | 2000 max. ppm              | 2000 max. ppm              | 2000 max. ppm              |
| Temperature  | 40 - 110° F.               | 40 - 110° F.               | 40 - 110° F                |
| pH   | 4 - 11                     | 4 - 11                     | 4 - 11                     |
| Maximum Hardness (gpg)                                   | <10                        | <10                        | <10                        |
| Maximum Iron (ppm)                                       | <.1                        | <.1                        | <.1                        |
| Maximum Manganese(ppm)                                   | <.05                       | <.05                       | <.05                       |
| Bacteria   | None                       | None                       | None                       |
| Maximum Hydrogen Sulfide                                 | None                       | None                       | None                       |
| Tannins  | None                       | None                       | None                       |
| Replacement Components                                   | TFC3                       | TFC4                       | TFC300                     |
| Sediment / Carbon Prefilter                              | PRE-GAC                    | PRE-GAC                    | PRE-GAC                    |
| Membrane   | MM-TFC                     | MM-TFC                     | MM-TFC                     |
| Carbon Postfilter  | PST-GAC                    | PST-GAC                    | PST-GAC                    |
| Carbon Polishing Filter                                  | N/A                        | M-POL-JG                   | N/A                        |



| Description   | TFC Series |
|---|------------|
| Replacement Membrane  | MM-TFC     |
| Replacement Prefilter   | PRE-GAC    |
| Replacement Postfilter  | PST-GAC    |
| Replacement Polishing Filter ("D" Models Only)                  | M-POL-JG   |
| Optional Booster Pump Recommended for TDS 800+ or low inlet psi | BP-3       |
| Mineral Plus Cartridge  | RO-MPC     |

| Description   | Part Number |
|---|-------------|
| 100" Roll (clear) 1/2" ID Drain Line Tubing for Softeners and Filters | DL-100-C    |
| Media Funnel  | U-1006      |
| Res-Care Softener Resin Cleaner-1 Gallon Case of 4                    | RK128N      |
| Res-Care Kit 64 oz.   | RK15        |
| Res-Care 6-pack 64 oz. Kit  | RK15K       |
| Res-Care 4-pack 64 oz.  | RK64N       |



| Comes standard with every softener |        |
|------------------------------------|--------|
| Single Pack                        | SS1WS  |
| 24 Pack                            | SS24WS |

- Sanitizes in just 60 seconds
- EPA and NSF Certified for use in water softeners

### Shark Skin Jacket Features



- Easy to apply with a quick zip
- No need to remove valve or plumbing
- Insulates tank
- No more condensation
- No more puddles on floor
- Can be applied to most media tank sizes
- Order separately from equipment – Black Color Only

| Item Number | Description                        |
|-------------|------------------------------------|
| NJ-9        | Shark Skin Jacket for 9 x 48 Tank  |
| NJ-10       | Shark Skin Jacket for 10 x 54 Tank |
| NJ-12       | Shark Skin Jacket for 12 x 52 Tank |
| NJ-13       | Shark Skin Jacket for 13 x 54 Tank |



### Board and Motor Kit

| Item Number | Description                       |
|-------------|-----------------------------------|
| 300-MTR-KIT | 300 Series Main Board & Motor Kit |



**2401 Test Kit**  
Tests for Hardness, pH & Iron



**K9510 Test Kit**  
Test for H<sub>2</sub>S only



**Spin Touch**  
City - ST-DW60-C  
Well - ST-DW60-W  
**Disc Options**  
4336-H - City  
4337-H - Well  
4339-H - Boiler / Cooling



**Arsenic Test Kit**  
5 Tests - #481297-5  
50 Tests - #481297-1

## Test Strips



### Strips Available to Test the Following:

- **pH** - Part Number 1974
- **Nitrate / Nitrite** - Part Number 2996
- **Hydrogen Peroxide** - Part Number 10254
- **Manganese** - Part Number 481020
- **Total Hardness** - Part Number U1021
- **Total & Free Chlorine** - Part Number U1025

## Complete Water Well Testing Kit



### Watercheck with Pesticide Option - WC-9002

- Tests for coliform and e-coli bacteria
- Test for 22 heavy metals and minerals (including arsenic)
- Tests for 7 inorganic chemicals, 5 physical factors, 4 trihalo methanes and 47 volation organic chemicals (VOC)
- Tests for 20 additional herbicides and pesticides
- Full scope of what this test covers available on next page

| Parameter                                       | MDL (mg/l)         | Parameter                                  | MDL (mg/l) | Parameter  | MDL (mg/l) |
|---|--------------------|--|------------|--|------------|
| <b>Bacteria</b>                                 |                    | <b>Organic Chemicals - Trihalomethanes</b> |            |  |            |
| Total Coliform and E.Coli                       | (Presence/Absence) | Bromodichloromethane                       | 0.002      | Dichlorodifluoromethane                                | 0.002      |
| <b>Inorganic Chemicals - Metals</b>             |                    | Bromoform                                  | 0.004      | Dichloromethane  | 0.002      |
| Aluminum  | 0.1                | Chloroform                                 | 0.002      | Ethylbenzene   | 0.001      |
| Arsenic   | 0.005              | Dibromochloromethane                       | 0.004      | Ethylenedibromide (EDB)                                | 0.001      |
| Barium  | 0.30               | Total THMs                                 | 0.002      | Methyl Ethyl Ketone                                    | 0.010      |
| Cadmium   | 0.002              | <b>Organic Chemicals - Volatiles</b>       |            | Methyl tert-butyl ether                                | 0.004      |
| Calcium   | 2.0                | 1,1-Dichloroethene                         | 0.001      | Styrene  | 0.001      |
| Chromium  | 0.010              | 1,1-Dichloroethane                         | 0.002      | Tetrachloroethene (PCE)                                | 0.002      |
| Copper  | 0.004              | 1,1-Dichloropropene                        | 0.002      | Tetrahydrofuran  | 0.010      |
| Iron  | 0.020              | 1,2-Dichlorobenzene                        | 0.001      | Toluene  | 0.001      |
| Lead  | 0.002              | 1,2-Dichloroethane                         | 0.001      | Trans-1,2-Dichloroethene                               | 0.002      |
| Lithium   | 0.001              | 1,2-Dichloropropane                        | 0.002      | Trans-1,3-Dichloropropene                              | 0.002      |
| Magnesium                                       | 0.10               | 1,3-Dichlorobenzene                        | 0.001      | Trichloroethene (TCE)                                  | 0.001      |
| Manganese                                       | 0.004              | 1,3-Dichloropropane                        | 0.002      | Trichlorofluoromethane                                 | 0.002      |
| Mercury   | 0.001              | 1,4-Dichlorobenzene                        | 0.001      | Vinyl Chloride   | 0.001      |
| Nickel  | 0.02               | 1,1,1-Trichloroethane                      | 0.001      | Xylene   | 0.001      |
| Potassium                                       | 1.0                | 1,1,2-Trichloroethane                      | 0.002      | <b>Pesticides, Herbicides and PCBs (Add-on Option)</b> |            |
| Selenium  | 0.020              | 1,2,3-Trichlorobenzene                     | 0.002      | 2,4-D  | 0.010      |
| Silica  | 0.1                | 1,2,3-Trichloropropane                     | 0.002      | Alachlor   | 0.001      |
| Silver  | 0.002              | 1,2,4-Trichlorobenzene                     | 0.002      | Aldrin   | 0.002      |
| Sodium  | 0.1                | 1,1,1,2-Tetrachloroethane                  | 0.002      | Atrazine   | 0.002      |
| Strontium                                       | 0.001              | 1,1,2,2-Tetrachloroethane                  | 0.002      | Chlordane  | 0.001      |
| Uranium   | 0.001              | 2-Chlorotoluene                            | 0.001      | Dichloran  | 0.002      |
| Zinc  | 0.004              | 2,2-Dichloropropane                        | 0.002      | Dieldrin   | 0.001      |
| <b>Inorganic Chemicals and Physical Factors</b> |                    | 4-Chlorotoluene                            | 0.001      | Endrin   | 0.0001     |
| Alkalinity (Total as CaCO3)                     | 20                 | Acetone                                    | 0.010      | Heptachlor   | 0.0004     |
| Bromide   | 0.5                | Benzene                                    | 0.001      | Heptachlor Epoxide                                     | 0.0001     |
| Chloride  | 5.0                | Bromobenzene                               | 0.002      | Hexachlorobenzene                                      | 0.0005     |
| Fluoride  | 0.5                | Bromomethane                               | 0.002      | Hexachlorocyclopentadiene                              | 0.001      |
| Hardness  | 10                 | Carbon Tetrachloride                       | 0.001      | Lindane  | 0.0002     |
| Nitrate as N                                    | 0.5                | Chlorobenzene                              | 0.001      | Methoxychlor   | 0.002      |
| Nitrite as N                                    | 0.5                | Chloroethane                               | 0.002      | PCBs   | 0.0005     |
| Orthophosphate                                  | 2.0                | Chloromethane                              | 0.002      | Pentachloronitrobenzene                                | 0.002      |
| pH (Standard Units)                             | -                  | Cis-1,2-Dichloroethene                     | 0.002      | Silvex (2,4,5-TP)                                      | 0.005      |
| Sulfate   | 5.0                | Cis-1,3-Dichloropropene                    | 0.002      | Simazine   | 0.002      |
| Total Dissolved Solids                          | 20                 | Dibromochloropropane (DBCP)                | 0.001      | Toxaphene  | 0.001      |
| Turbidity (Turbidity Units)                     | 0.1                | Dibromomethane                             | 0.002      | Trifluralin  | 0.002      |

**20017X284** - 1 in. MPT Elbow Set



**20017X288** - 1 in. Straight Slip Set



**20017X289** - 1 in. MPT Straight Set



**20017X297** - Vertical Elbow Set



**20017X304** - 1 in. x 3/4 in. Brass Sweat Set



**20017X306** - 3/4 in. Shark Bite x 1 in. FPT



**20017X307** - 3/4 in. MPT Straight Set



**20017X308** - Flex Hose Set 1 in. FPT x 3/4 in. Shark Bite x 24 in.



## WATER TREATMENT EQUIPMENT

*This warranty cannot be transferred - it is extended only to the original purchaser or first user of the product. By accepting and keeping this product, you agree to all of the warranty terms and limitations of liability described below.*

**Important Warning:** Read carefully the Clearion Water Treatment Equipment Installation, Operating and Maintenance Instructions Manual to avoid serious personal injury and property HAZARDS and to ensure safe and proper care of this product.

Model Numbers Covered:  
Water Softeners, Media Filters and Upflow Filters

\*FOR AS LONG AS YOU OWN AND LIVE IN YOUR SINGLE FAMILY HOME, this warranty covers your water treatment equipment, if you are the first user of this Clearion water treatment equipment and purchased it for single family home use - subject to all of the conditions, limitations and exclusions listed below. Purchasers who buy the Clearion water treatment equipment for other purposes, and other component parts are subject to more limited warranties and you should read all of the terms included in this form to make sure you understand your warranty.

What is covered by this warranty?

Clearion warrants that at the time of manufacture, the water treatment equipment shall be free from defects in material and workmanship as follows :

|  |          |
|--|----------|
| Residential Mineral Tanks.....             | 10 years |
| Proprietary Control Valves .....           | 7 years  |
| Other Softener/Filter Control Valves ..... | 5 years  |
| Brine Tank .....                           | 5 years  |
| Residential Reverse Osmosis System.....    | 5 year   |
| Other Accessories & Parts.....             | 1 year   |
| Brine Tank Components.....                 | 1 year   |

\* This warranty does not include media .and/or cartridge filter elements.

### Additional Terms & Conditions

What Clearion will do if you have a covered warranty claim  
Clearion will at its option either make repairs to correct any defect in material or workmanship or supply and ship either new or used replacement parts or products. Clearion will not accept any claims for labor or other costs.

### Additional Exclusions and Limitations

This warranty is non-transferable and does not cover any failure or problem unless it was caused solely by a defect in material or workmanship. In addition, this warranty shall not apply :

- If the water treatment equipment is not correctly installed, operated, repaired and maintained as described in the Installation, Operating & Maintenance Instructions Manual provided with the product.
- Defects caused as a direct result of the incoming water quality
- If the tank is not the size indicated for the supply line size of the installation, as described in the manual.
- If the unit has not always been operated within the factory calibrated temperature limits, and at a water pressure not exceeding 125 psi
- To any failure or malfunction resulting from abuse (including freezing), improper or negligent; handling,

shipping (by anyone other than Clearion), storage, use, operation, accident; or alteration, lightning, flooding or other environmental conditions;

- To any failure or malfunction resulting from failure to keep the unit full of potable water, free to circulate at all times; and with the tank free of damaging water sediment or scale deposits;
- This warranty does not cover labor costs, shipping charges, service charges, delivery expenses, property damage, administrative fees or any costs incurred by the purchaser in removing or reinstalling the water treatment equipment.
- The warranty does not cover any claims submitted to Clearion more than 30 days after expiration of the applicable warranty, and does not apply unless prompt notice of any claim is given to an authorized Clearion Dealer or to Clearion or a designated contractor is provided access to the installation and to the water treatment equipment.

THESE WARRANTIES ARE GIVEN IN LIEU OF ALL OTHER EXPRESS WARRANTIES. NO CLEARION REPRESENTATIVE OR ANY OTHER PARTY IS AUTHORIZED TO MAKE ANY WARRANTY OTHER THAN THOSE EXPRESSLY CONTAINED IN THIS WARRANTY AGREEMENT.

### Additional Warranty Limitations

ANY IMPLIED WARRANTIES THE PURCHASER MAY HAVE, INCLUDING THE IMPLIED WARRANTIES OF MERCHANTABILITY AND FITNESS FOR A PARTICULAR PURPOSE, SHALL NOT EXTEND BEYOND THE APPLICABLE TIME PERIODS SPECIFIED ABOVE. Some states do not allow limitations on how long an implied warranty lasts, so the above limitations may not apply to you.

### Limitations of Remedies

The remedies contained in this warranty are the purchaser's exclusive remedies. In no circumstances will Clearion or the seller of the product be liable for more than, and purchaser-user's remedies shall not exceed, the price paid for the product. In no case shall Clearion or seller be liable for any special, incidental, contingent or consequential damages. Special, incidental, contingent and consequential damages for which Clearion is not liable include, but are not limited to, inconvenience, loss or damage to property, consequential mold damage, loss of profits, loss of savings or revenue, loss of use of the products or any associated equipment, facilities, buildings or services, downtime, and the claims of third parties including customers. Some states do not allow the exclusion or the limitation of incidental or consequential damages, so the above limitations or exclusion may not apply to you.

What to do if you have a problem covered by this warranty  
Any warranty coverage must be authorized by Clearion. Contact the person from whom you purchased the product, who must receive authorization from a Clearion Dealer .

If your product is new and not used and you wish to return it, contact your Clearion Dealer.



710 Orange Street  
Ashland, Ohio 44805

Phone: 419.281.8962

[www.clearionwater.com](http://www.clearionwater.com)

0126TV