

protect against
PFAS

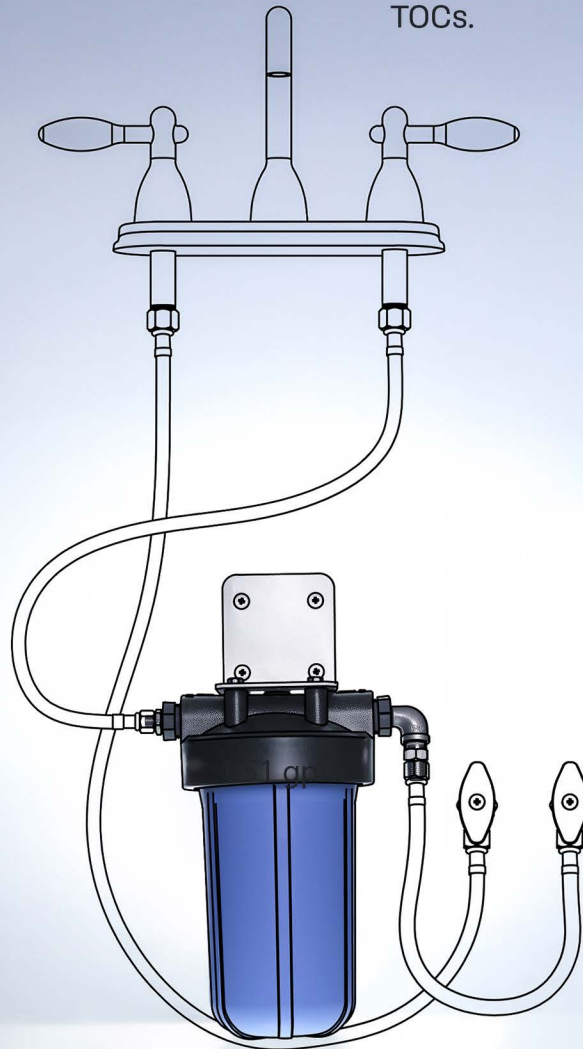


Forever chemicals (PFAS) pose serious health risks and contaminate water.

Protect your drinking water with our

Under-Sink PFAS Removal System

- Simple installation & low maintenance for hassle-free use.
- Complete installation kit included
- Optimum protection for safer water.
- Effectively removes organics and TOCs.



Dimensions

4.5 x 10 in.

Flow Rate

1.51 gpm

Gallons Capacity

8,575



More information on PFAS

Model Number:

PF10J



chandlersystemsinc.com